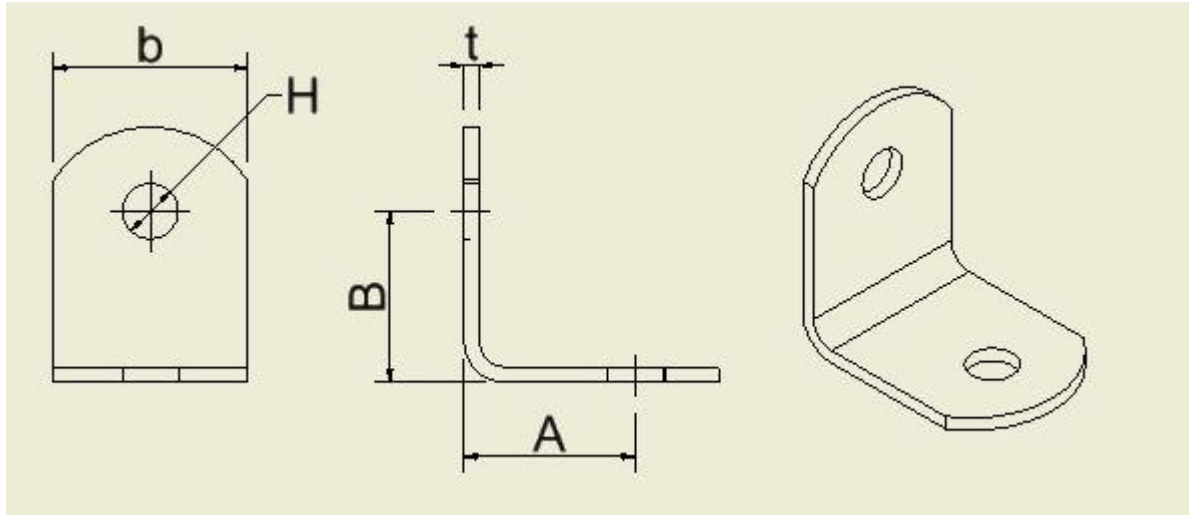




Metric Dimensions

Pipe Clamp AS, is a supplier of standard stainless steel pipe clamps. The fabrication and main office is located in Stavanger.



Standard	Description	Material AISI 316L				
		b (mm)	H (mm)	t (mm)	A (mm)	B (mm)
Metrisk	20	7	2			M 6
Metrisk	20	7	3			M 6
Metrisk	30	9	3			M 8
Metrisk	38	9	3			M 8
Metrisk	38	11	3			M 10
Metrisk	38	14	4			M 12
Metrisk	50	18	5			M 16

- The angle brackets are normally delivered without mounting bolts. However bolts can be delivered on request.
- The Dimensions "A" and "B" can be customer specified.
- Send E-mail for our best quotation.

Contact:

post@pipeclamp.no

or

Cell: +47 41514382